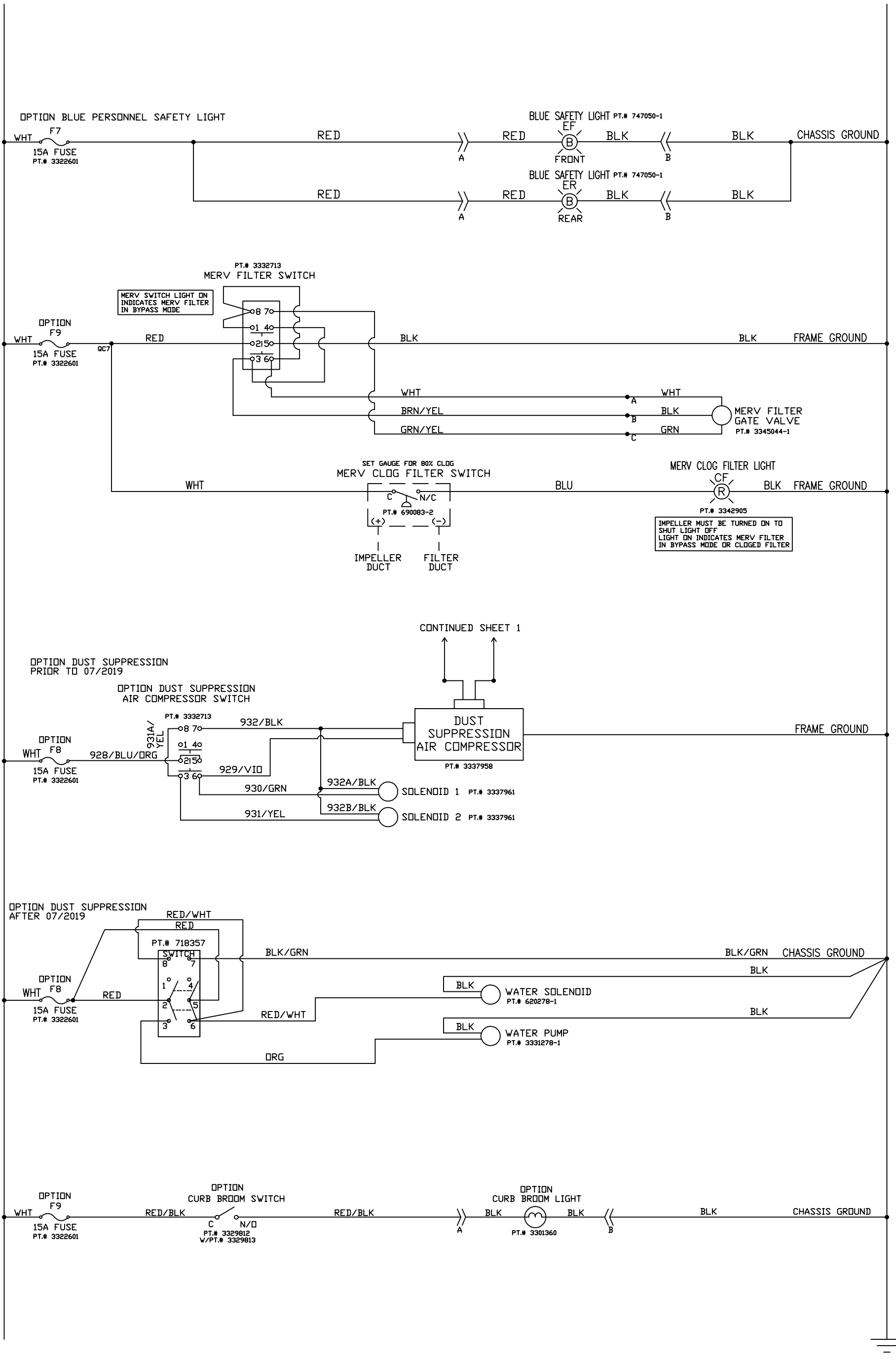


1
2
3
4
5
6
7
8
9
10
11
12
13
14
15
16
17
18
19
20
21
22
23
24
25
26
27
28
29



CONTINUED SHEET 1

REV	ECN	DATE	DESCRIPTION	BY	CONFIDENTIAL THIS DRAWING AND ALL INFORMATION CONTAINED HEREIN ARE THE EXCLUSIVE PROPERTY OF MINUTEMAN INTERNATIONAL, INC. THIS DRAWING IS NOT TO BE COPIED OR OTHERWISE REPRODUCED WITHOUT EXPRESSED WRITTEN PERMISSION OF MINUTEMAN INTERNATIONAL, INC. IN ADDITION, THIS DRAWING MUST BE RETURNED UPON REQUEST. FURTHER, ALL INFORMATION CONTAINED HEREIN MUST BE MAINTAINED CONFIDENTIAL.		TITLE	PART NUMBER	REVISION	PAGE NUMBER
C	150371	08/06/18	UPDATED IGN SW, R2 RELAY & OPTIONS	KHH	14N845 U.S.ROUTE 20 PINGREE GROVE, IL 60140	SCHEMATIC-ELECTRICAL 6X/7D	3338222	F	3	OF 4
D	150450	11/13/18	UPDATED DUST SUPPRESSION OPTION & PT.#S	KHH						
E	151498	10/09/20	ADDED TURN/4-WAY/FLASHERS OPTION & PT.#S	KHH						
F	151660	04/01/21	CHANGE INSTRUMENT GAUGE	KHH						
					ELECTRICAL DESIGN ENGINEER J.HUGHES	CAD BY JDH	DATE 07/12/00			